

Flexible. Modular. Precise.

ESPERA metal detection for a maximum
of quality control.



METRON metal detector

For all applications in food processing industry.



METRON tunnel detector head for precise detection of all metal parts and loose materials

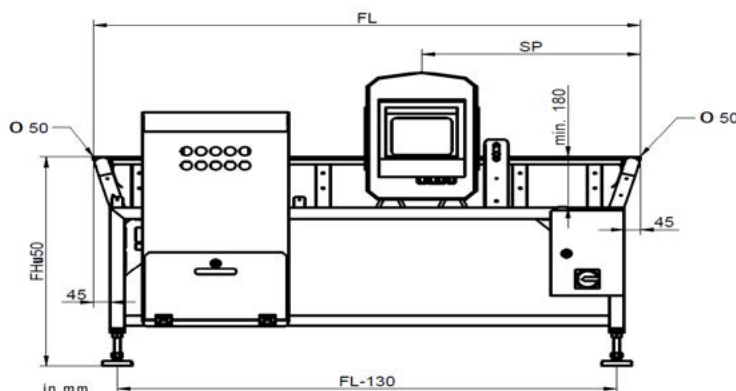
METAL DETECTION made easy for your production.

Designed according to the requirements of the food industry, the METRON metal detector offers the highest level of detection accuracy.

The system is flexible and can be optimally adapted to every line requirement by means of individually definable belt lengths and belt widths.

As a stand-alone solution as well as when integrated into a line, for example in combination with an ESPERA labeling system, the metal detector impresses with the highest precision, hygienic design and a reliable metal detection technology.

The data exchange can be implemented both, via a fully integrated online connection as well as via USB.



Highlights

- 3-frequency multimode for highest flexibility due to 3 individual detection frequencies
- „ImagePhase“ metal detection visualized on HMI
- Intelligent user management with individual user rights
- Modulare belt system for classical conveyor belts and chain belts
- Network integration
- Hygienic design IP66 (METRON)

Options

- Various sorting / reject options (Pusher, flipper, air reject etc.)
- Retailer Kit
- Extended IP protection for harsh environments

One step ahead.

ESPERA-WERKE GMBH

Moltkestrasse 17 - 33
47058 Duisburg
Germany

Telephone: +49 203 30 54 - 0
Fax: +49 203 30 54 - 275
E-Mail: info@espera.de